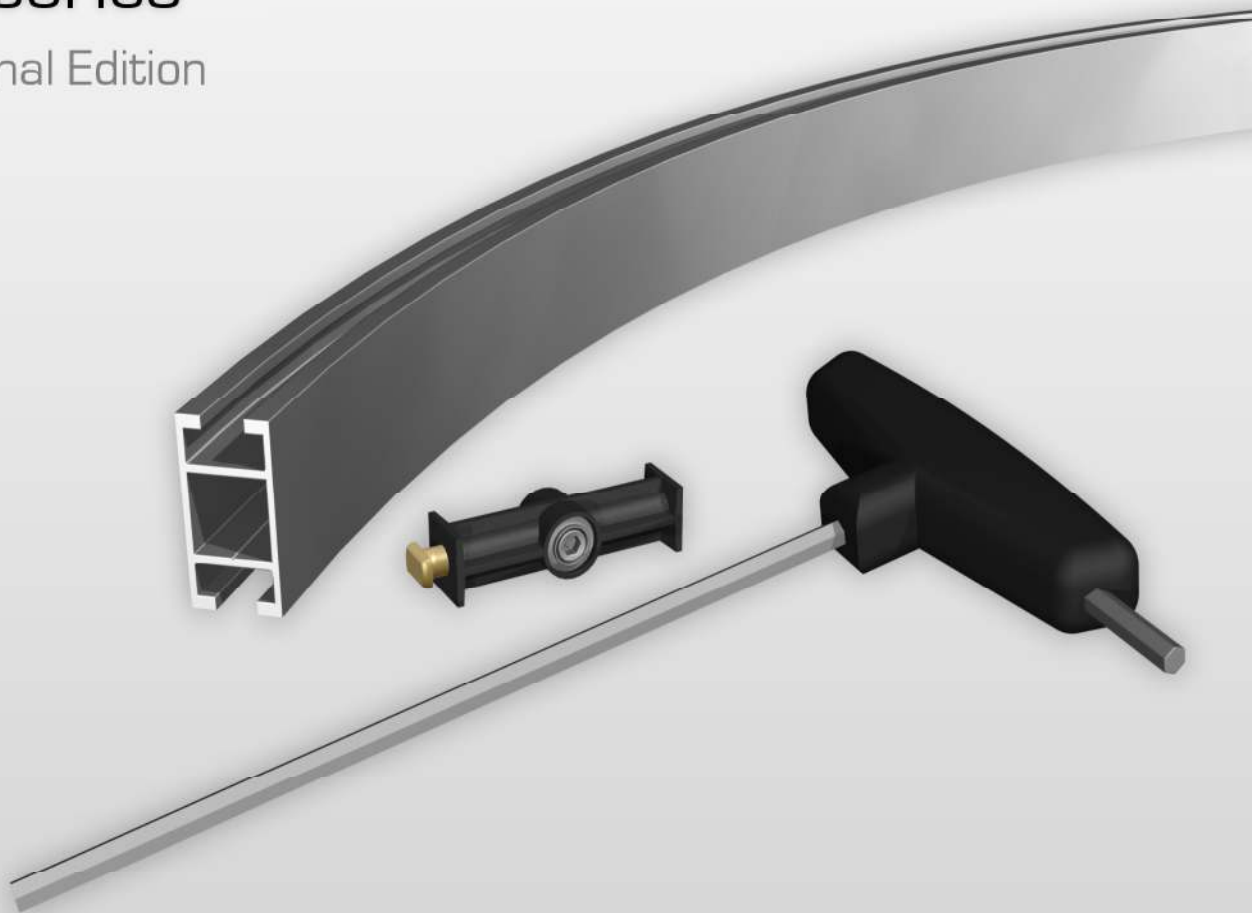




Accessories

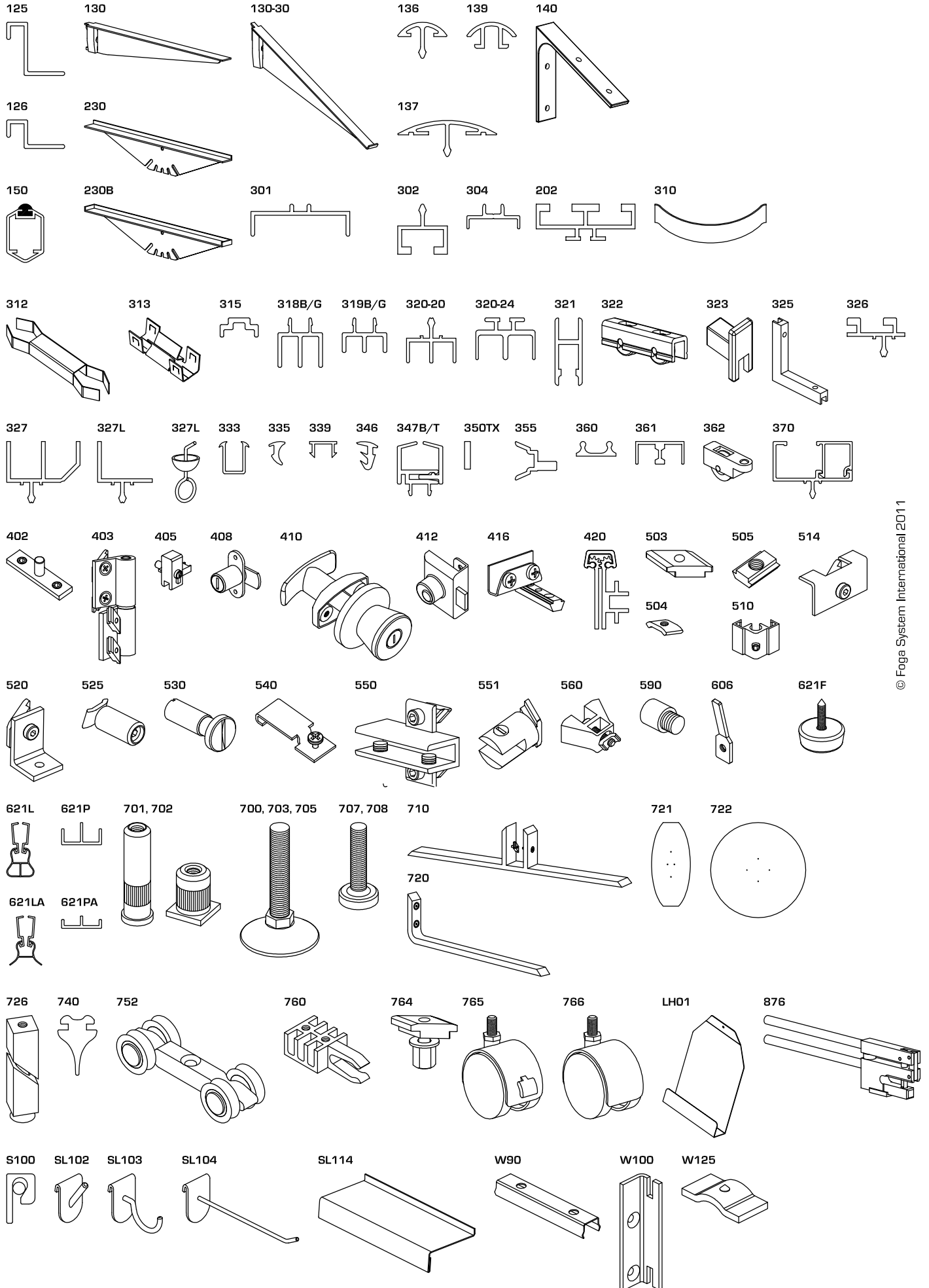
International Edition



FOGA Accessories...

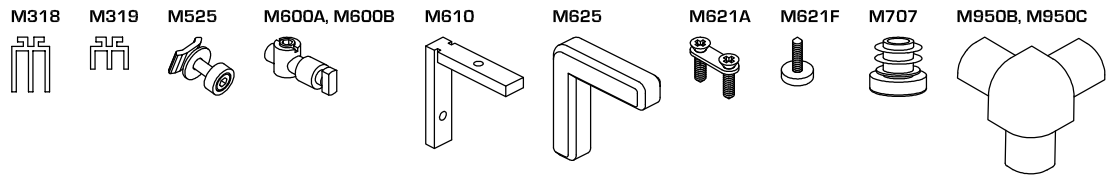
Our vast collection of accessories allow the FOGA system to be assembled into a limitless range of configurations.

Not to scale

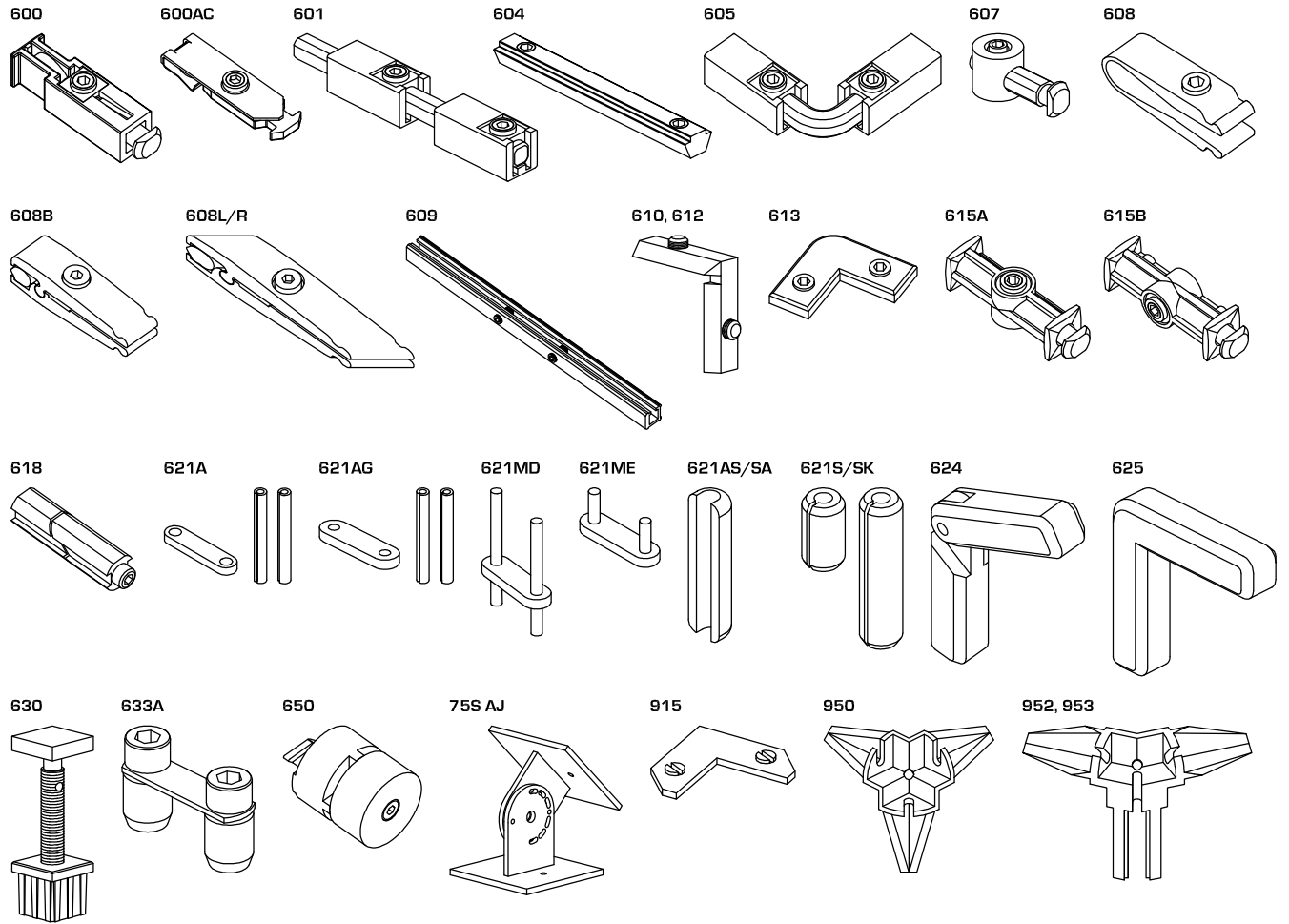


Not to scale

FOGA Mini

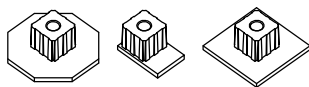


FOGA Connectors

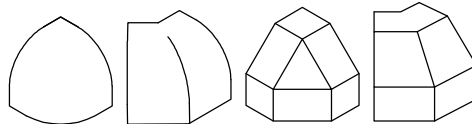


FOGA End Caps

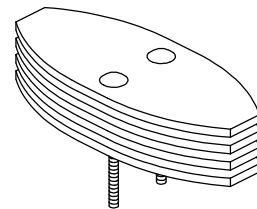
Grey Plastic Caps

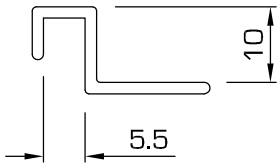
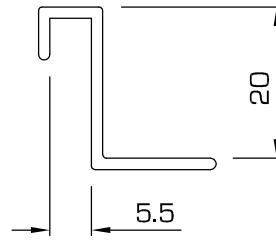
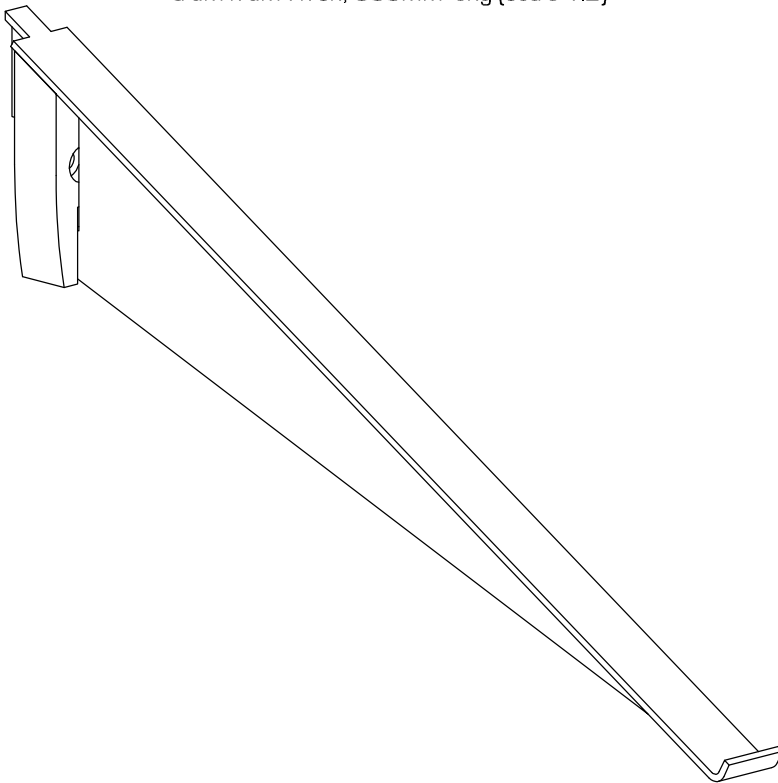
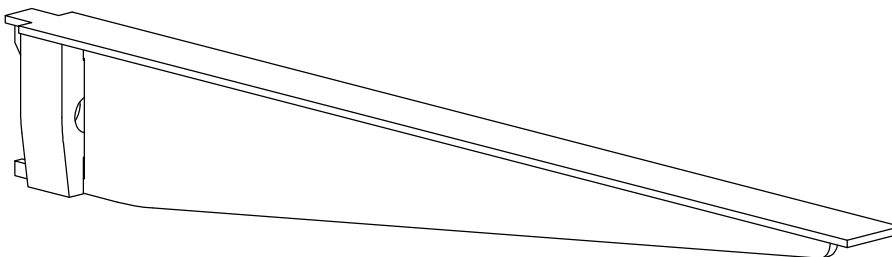


Corner Caps (for knuckle joints)

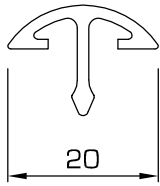


Decorative Caps (to suit a range of common uprights)

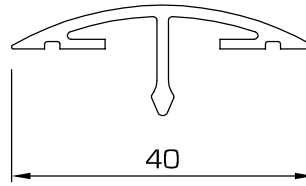


126 - Flange adaptor, hooks over channel edge**125** - Flange adaptor, hooks over channel edge**130-30** - Angled shelf bracket (30°), anodised aluminium finish, 300mm long (scale 1:2)**130** - Shelf bracket, anodised aluminium finish, 300mm long (scale 1:2)

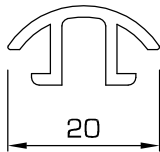
136 - Channel infill, use with 313 in-channel clips



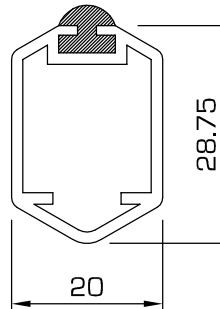
137 - Channel infill, use with 313 in-channel clips



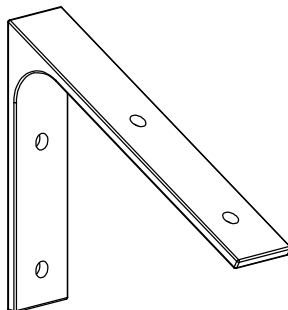
139 - Channel infill, slides down channel end



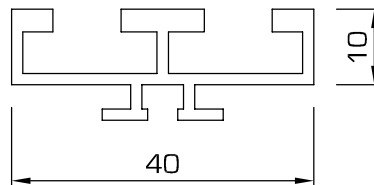
150 - Clothes rail with plastic insert along top edge



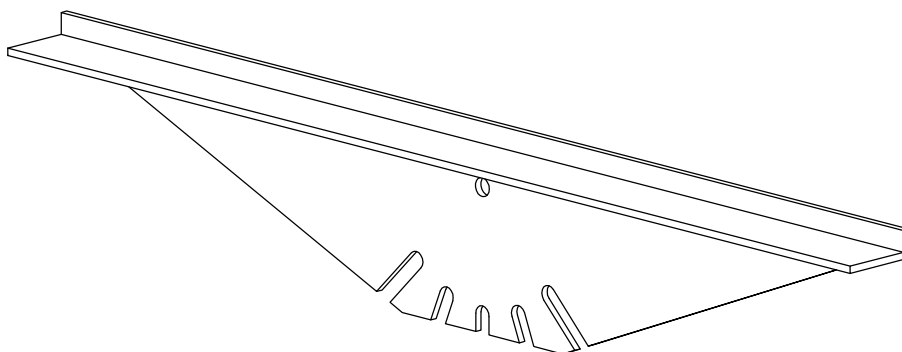
140 - Angled shelf bracket (30°), anodised aluminium finish, 100mm long (scale 1:2)



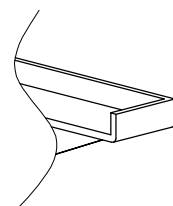
202 - Double channel adaptor, slides down channel end



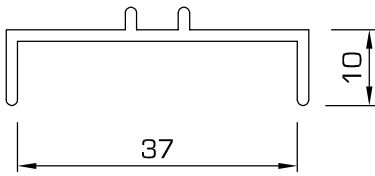
230, 230B - Adjustable shelf bracket, provides a flange to support a shelf, adjustable angle allows for sloping or horizontal set-up, 300mm long, supplied with grub screws and bevel nuts, 230B includes additional lips to support sloping shelves, as detailed below (scale 1:2)



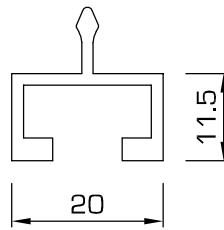
230B detail



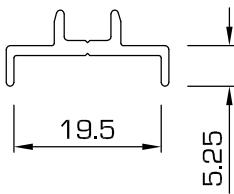
301 - Channel adaptor, for panels upto 37mm



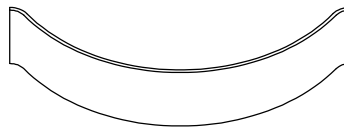
302 - Snap fit profile, use with 313 in-channel clips



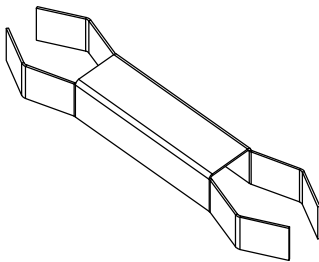
304 - Channel adaptor, for slatwall panels



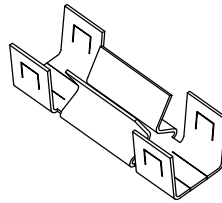
310 - Spring clip, secures panels in the FOGA channel



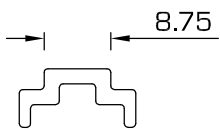
312 - Spacer, fits to top of sliding glass doors



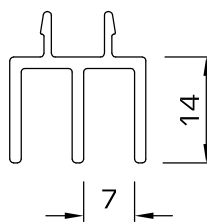
313 - In-channel clip, pushes into the FOGA channel to allow fitting of push-in adaptors, primarily sliding door and decorative profiles



315 - Channel infill, to mask unused channels, anodised aluminium finish

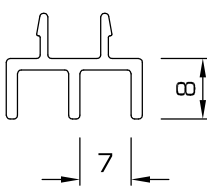


318B, 318G - Plastic, allows fitting of sliding doors (top track)



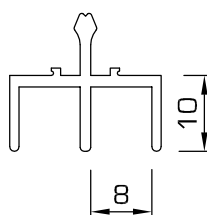
318B - Black
318G - Grey

319B, 319G - Plastic, allows fitting of sliding doors (bottom track)

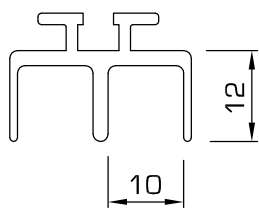


319B - Black
319G - Grey

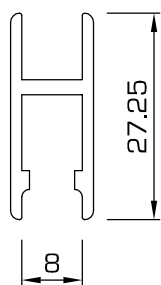
320-20 - Sliding door profile, 20mm wide use with 313 in-channel clips



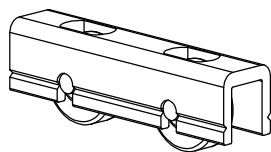
320-24 - Sliding door profile, 24mm wide inserted down the end of the channel



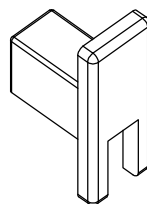
321 - Roller rail, for sliding door assembly



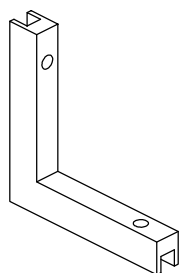
322 - Roller carriage, for sliding door assembly



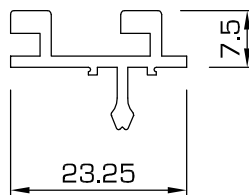
323 - Grey plastic cap for profile 321



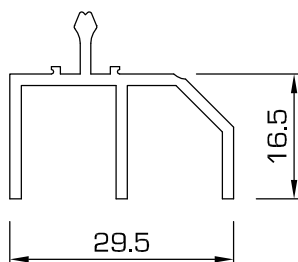
325 - Mitred corner cleat, for use with roller carriage '321' (scale 1:2)



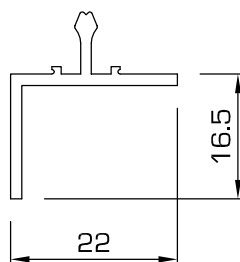
326 - Roller guide track, refer to 'Guides' page 8 use with 313 in-channel clips



327 - Sliding door, top profile



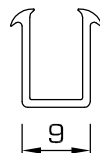
327L - Sliding door, side profile



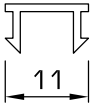
329 - Curtain guide, for standard FOGA channel



333 - Transparent plastic glazing channel, for 3-5 mm panels



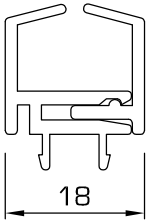
339 - Plastic channel infill, aluminium colour



346 - Black rubber gasket for 3-4mm panels



347B, 347T - Two-piece plastic glazing gasket, for removeable panels

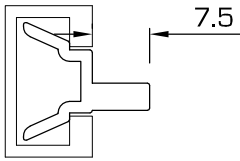


347B - Black
347T - Transparent/Clear

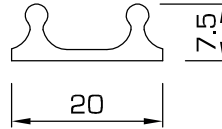
350TX - Silicone strip for textile applications



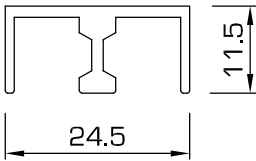
355 - Flange adaptor in transparent plastic, inserts into channel



360 - Sliding door bottom track for fixing within timber openings

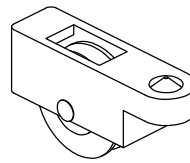


361 - Sliding door top track for fixing within timber openings

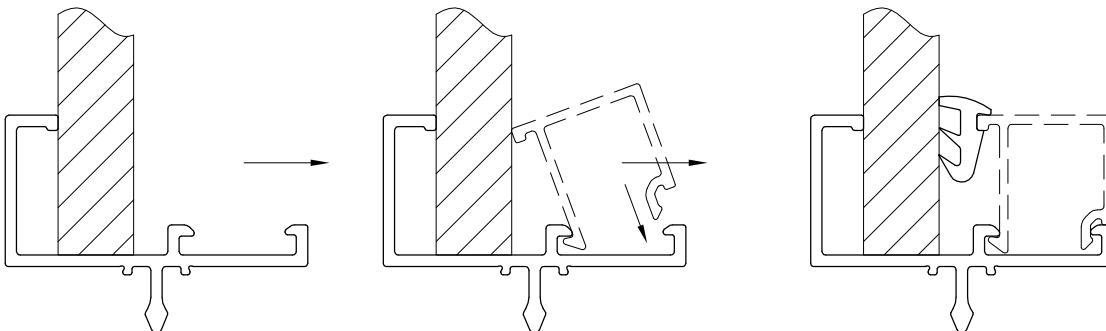


362 - Nylon roller for use with 360

sliding door bottom track



370 - Two-part aluminium glazing trim for face installation of partition walling and similar applications. Suitable for 6-10mm glass, and 6-13mm solid board panels, use with 313 clip.

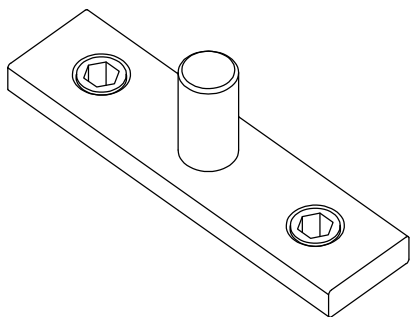


1. Fix 370-A into framework and sit panel in position

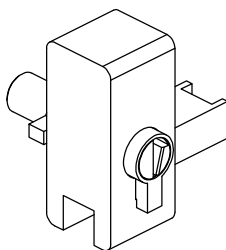
2. Locate 370-B into framework as shown until it snaps into position

3. Insert gasket to take up any remaining space

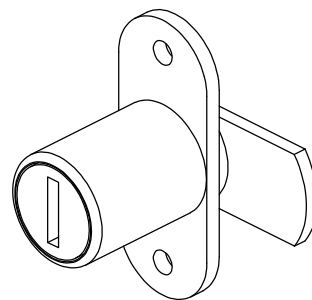
402 - Pivot, fixes into the FOGA channel
supplied with grub screws



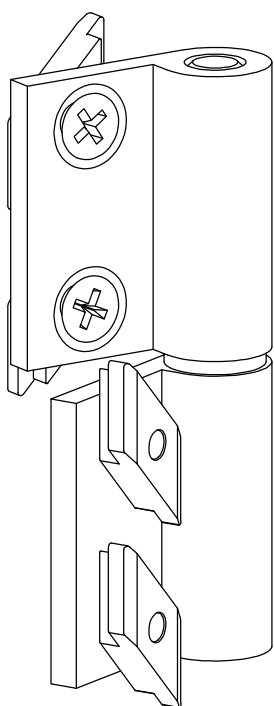
405 - Sliding door lock,
supplied with two keys



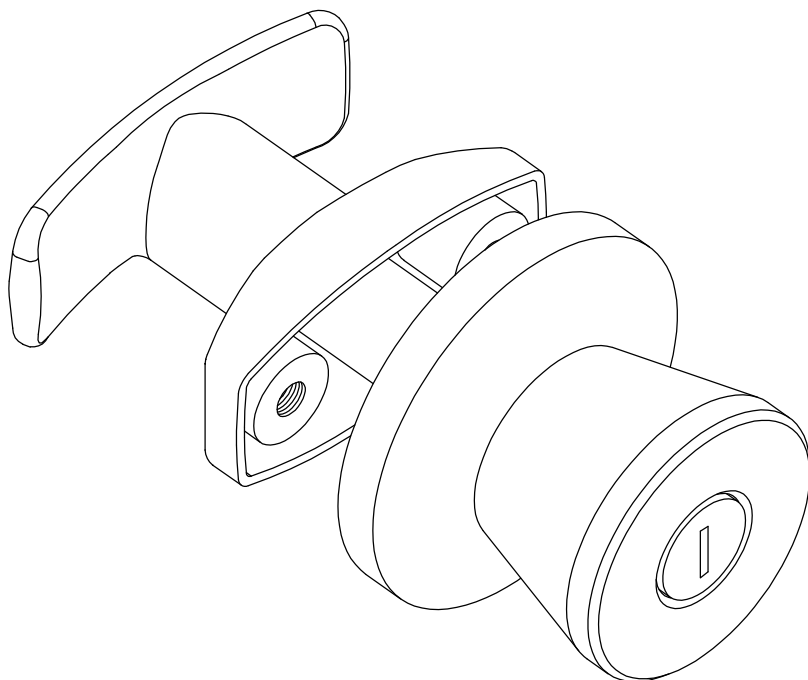
408 - Hinged door lock,
supplied with two keys



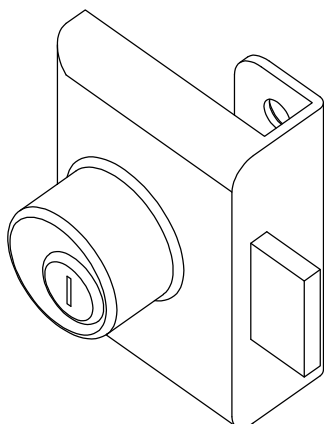
403 - Hinge, for 20mm wide profiles,
with screws and bevel nuts



410 - Full height door lock for use with profile 292, supplied with two keys

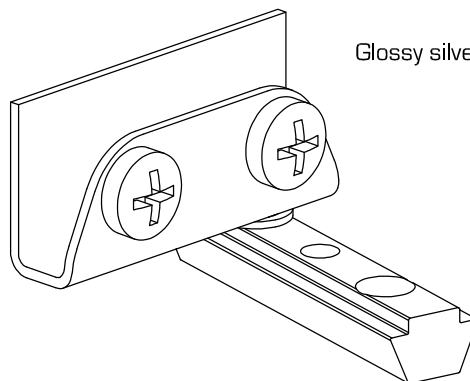


412 - Lock for frameless cabinet doors,
supplied with grub screws and two keys



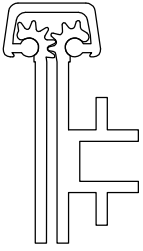
Glossy silver finish

416 - Hinge, for frameless cabinet doors,
supplied with grub screws, sold in pairs

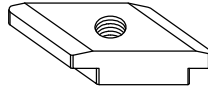


Glossy silver finish

420 - Gear-edged hinge for cabinet doors



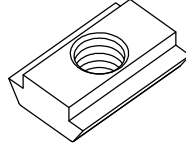
503, 504, 505 - Bevel Nuts / Face insert nut



503 - M5 bevel nut, for standard channel

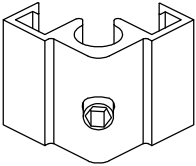


504 - M4 bevel nut, for 'R' channel / FOGA Mini

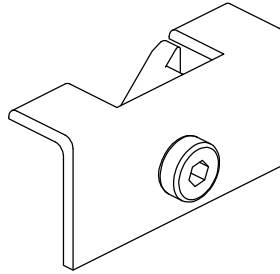


505 - M8 nut for standard channel

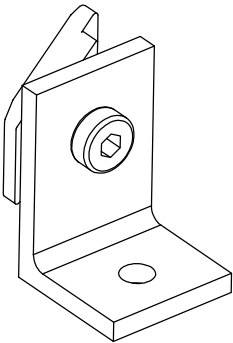
510 - Shelf holder for profiles 92L, 93 and 94



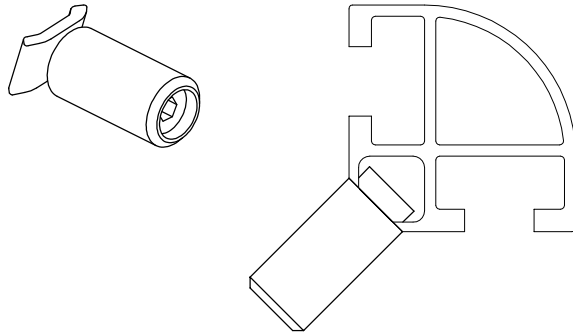
514 - Shelf holder for profiles 93 and 94



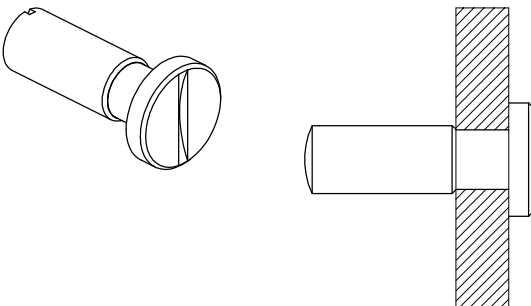
520 - Multi-purpose fixing bracket with screw and 503 nut, mounts to FOGA channel



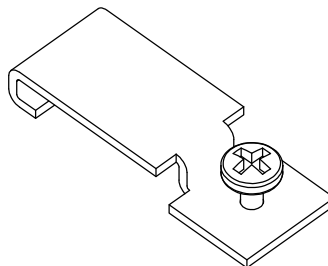
525 - Shelf holder, fastens into 'R' channel e.g. 92LR



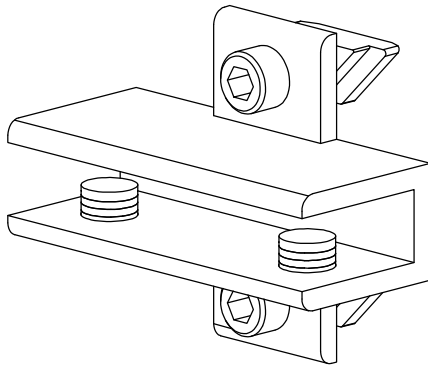
530 - Shelf holder, fixes through pre-drilled hole in panels, two piece design



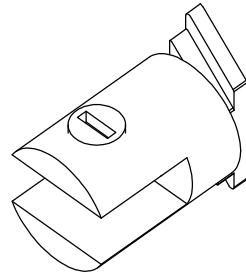
540 - Hanging clip, to produce butt joints [e.g. on ceiling grids], screw supplied



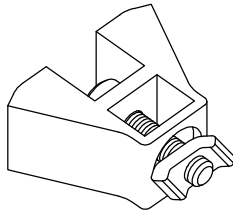
550 - Shelf holder, fixes to the FOGA channel supplied with screws and 503 bevel nuts



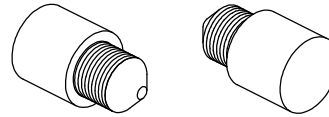
551 - Shelf holder and panel clamp



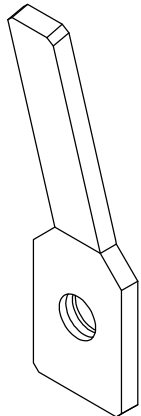
560 - Shelf holder, for 135° or 90° angle



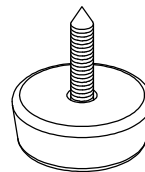
590 - Shelf holder, extra long grub screw with cap that forms shelf holder (for use with 600 connector only)



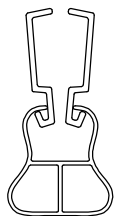
606 - Friction wedge, used for joining parallel profiles



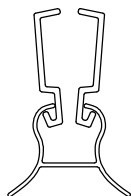
621F - Black rubber foot for profiles 21 and 21A supplied with screw for fixing



621L, 621LA - Plastic insert for snap-on poster



621L - For standard profiles



621LA - For profiles 21A, 91A and 92A

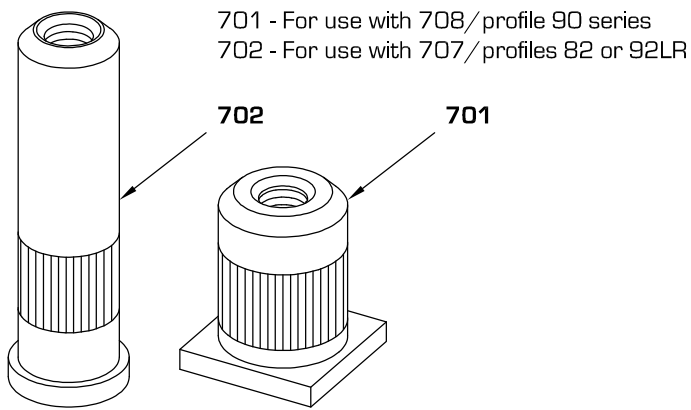
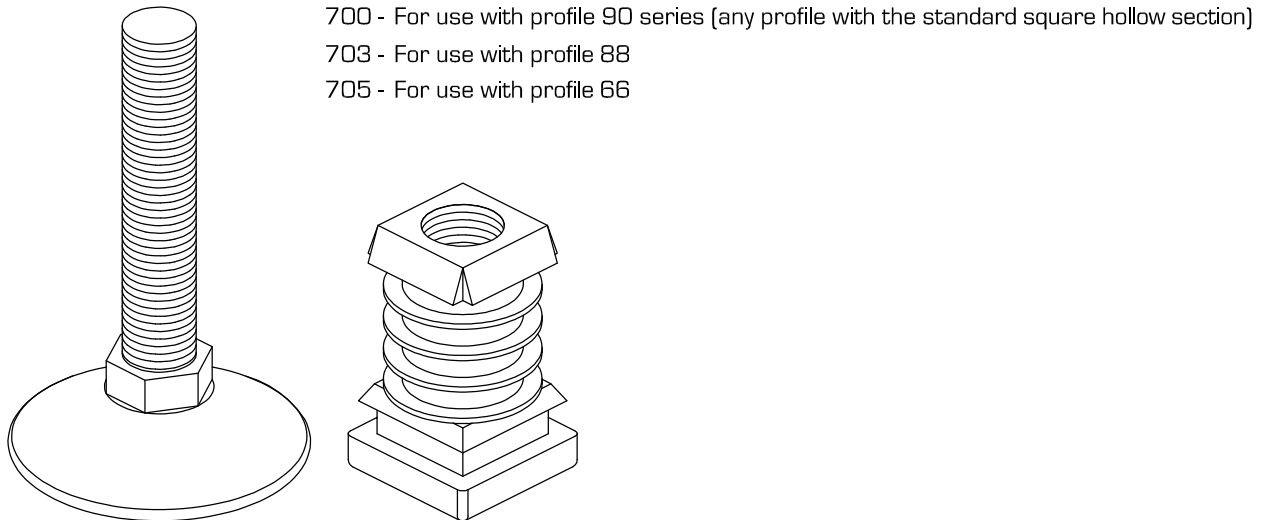
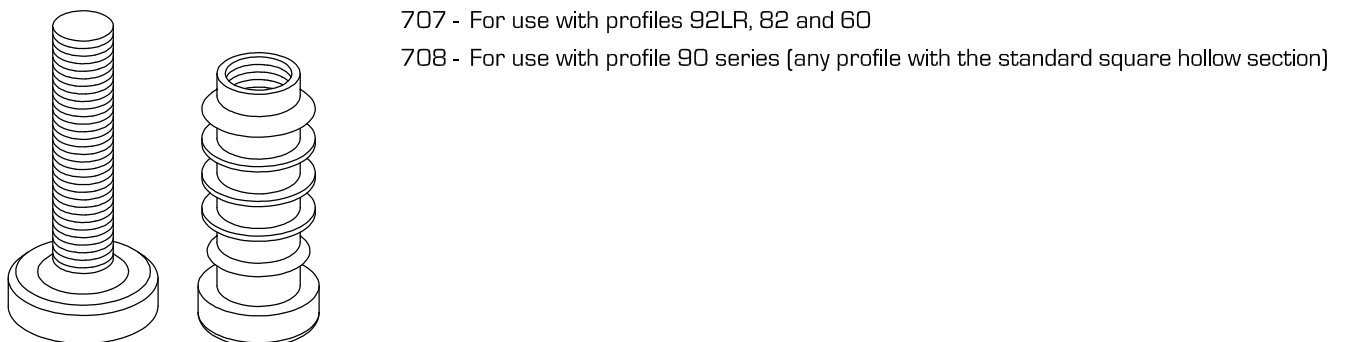
621P, 612PA - Plastic sliding door tracks



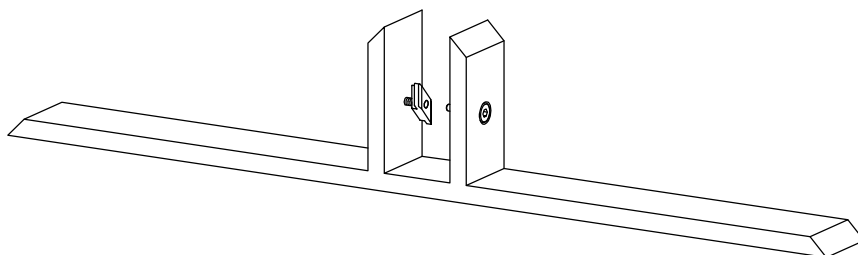
621P - Plastic sliding door track for profile 21



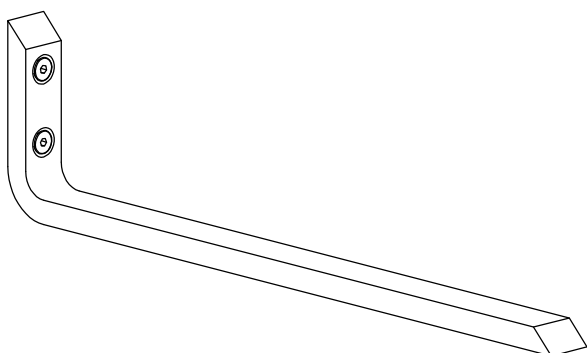
621PA - Plastic sliding door track for profile 21A

701, 702 - Aluminium foot insert with M8 thread, for heavy duty use**700, 703, 705** - Adjustable foot, 40mm diameter base, M10 thread, supplied with plastic insert**707, 708** - Adjustable foot, 20mm diameter base, M8 thread, supplied with plastic insert

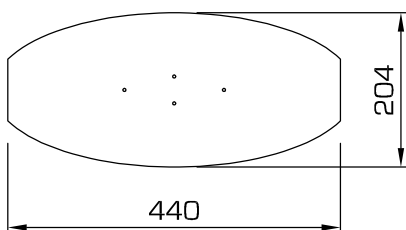
710 - Anodised aluminium foot, for profiles 40mm deep, double sided 500mm long (scale 1:4)



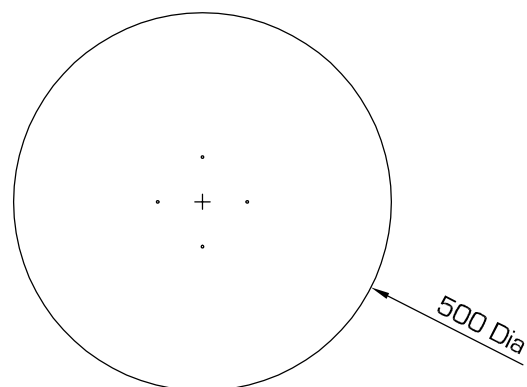
720 - Anodised aluminium foot or shelf bracket, 300mm long (scale 1:3)



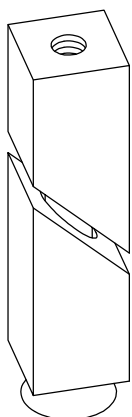
721 - Base plate for profile 164 (scale 1:10)



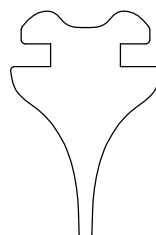
722 - Base plate for profile 180 (scale 1:10)



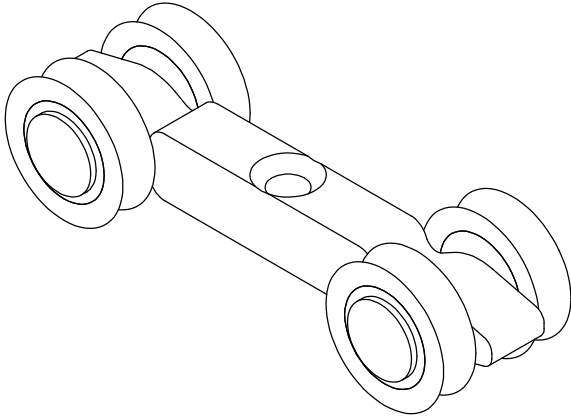
726 - Foot plate connector, M8 thread



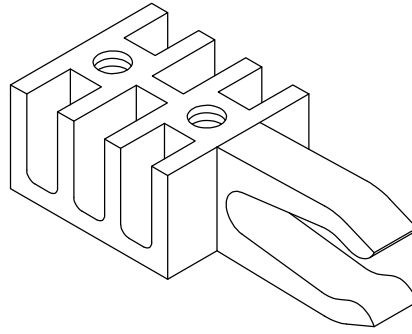
740 - Black rubber seal for use with profiles 70 and 72 on full height sliding doors



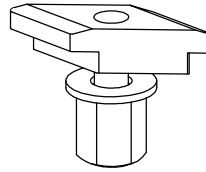
752 - Roller carriage for full height sliding doors for use with profiles 70, 72 and 73



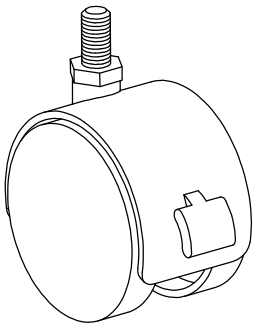
760 - Sliding door stop for use with 752



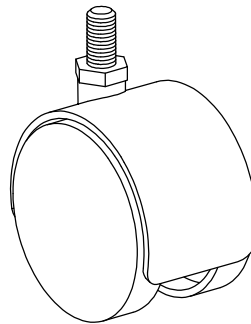
764 - Steering pin for use with profile 70 and 72 on full height sliding doors



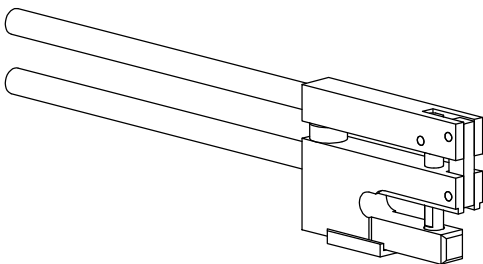
765 - Double castor with brake, M8 thread (scale 1:2)



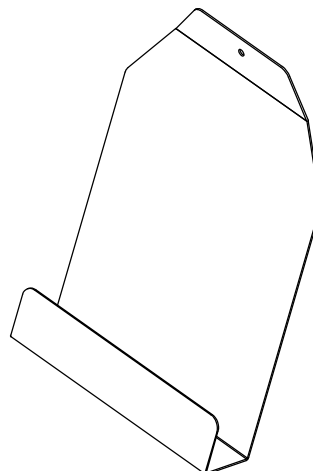
766 - Double castor without brake, M8 thread (scale 1:2)



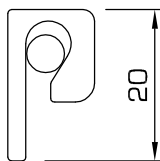
876 - FOGA handpunch, heavy duty hardened steel punch, ensures hole positions are correctly aligned when inserting FOGA connectors into the system (scale 1:4)



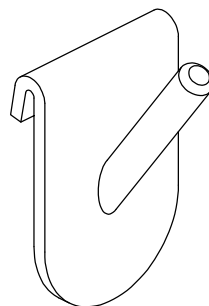
LH01 - A4 literature holder, supplied with screw and bevel nut, fixes in any profile channel (scale 1:6)



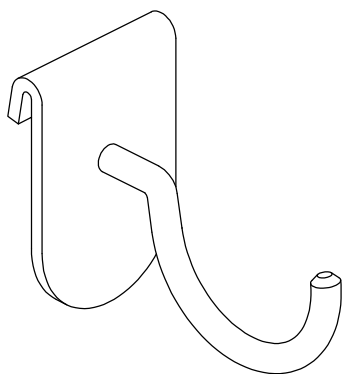
S100 - Note holder, hang paper notes to this wall mounted profile



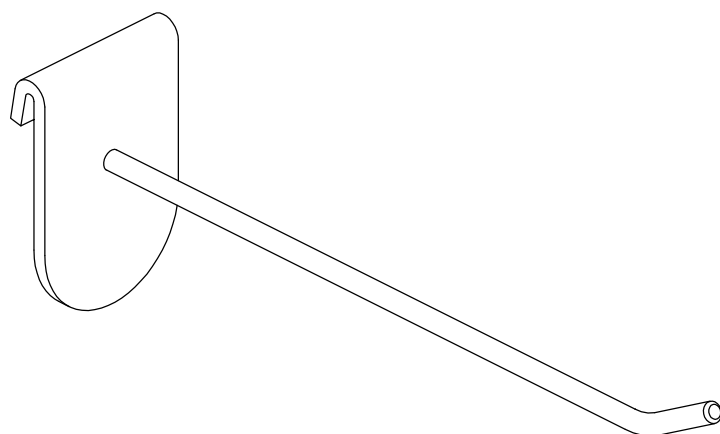
SL102 - Slotwall fitting type one



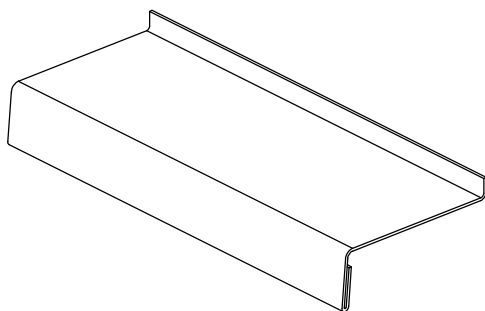
SL103 - Slotwall fitting type two



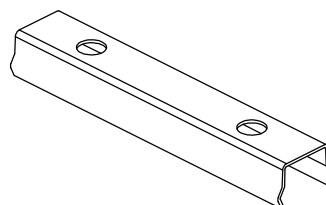
SL104 - Slotwall fitting type three



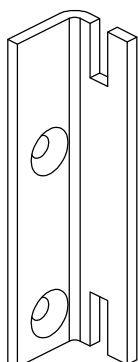
SL114 - Slotwall clear plastic shelf (scale 1:4)



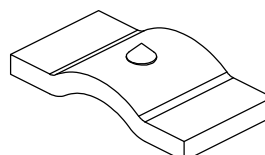
W90 - Panel holder spring

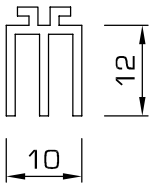
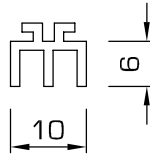
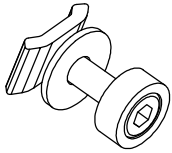
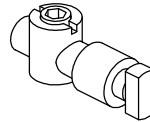
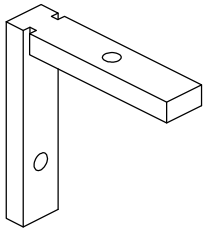
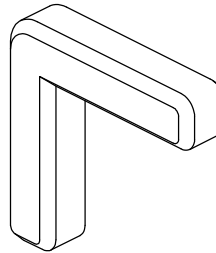
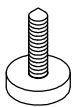
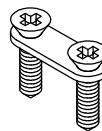
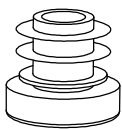
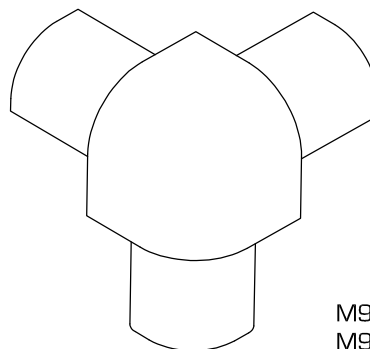


W100 - Flange part for panel holder W125



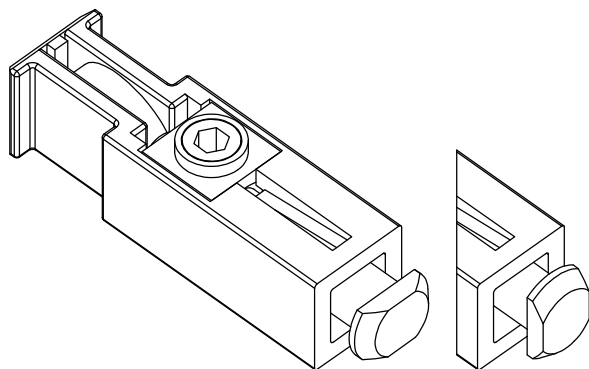
W125 - Panel holder, used together with W100



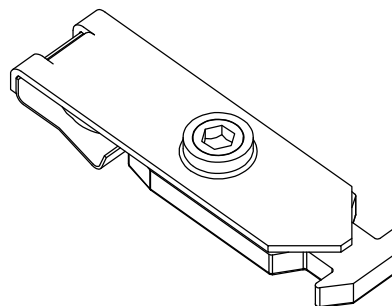
M318 - FOGA Mini - Clear plastic sliding door track**M319** - FOGA Mini - Clear plastic sliding door track**M525** - FOGA Mini - Shelf holder**M600A, M600B** - FOGA Mini - Connectors**M610** - FOGA Mini - 90° in-channel corner coupling**M625** - FOGA Mini - 90° mitred corner coupling**M621F** - FOGA Mini - Black rubber foot for profile M21 gear-edged hinge**M621A** - FOGA Mini - Screws and plate for profile M21 gear-edged hinge, sold in pairs**M707** - FOGA Mini - Black plastic foot**M950B, M950C** - Plastic corner knuckle for profile M92LR

M950B - Black finish
M950C - Polished chrome finish

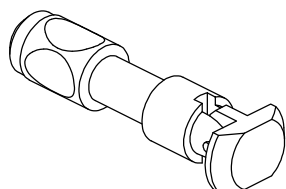
600 - Connector, with adjustable head



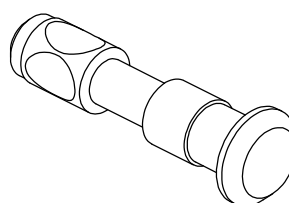
600AC - Connector, slimline design, specifically developed for use with profiles 91A and 92A



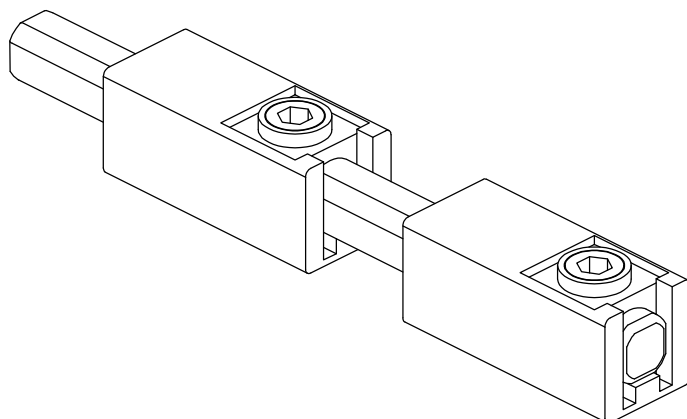
600G - Pivot-head bolt for 600 connector, allows rails to connect at any angle



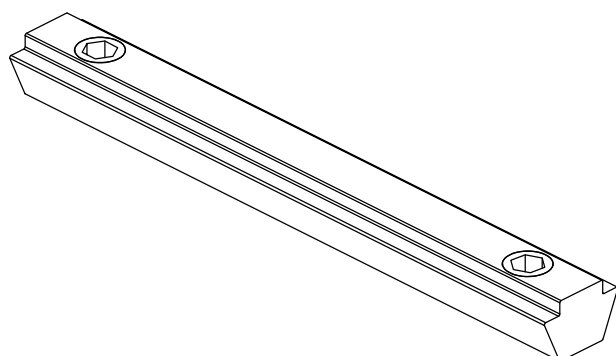
600R - Round-headed bolt for 600 connector, for fixing at mitred corners



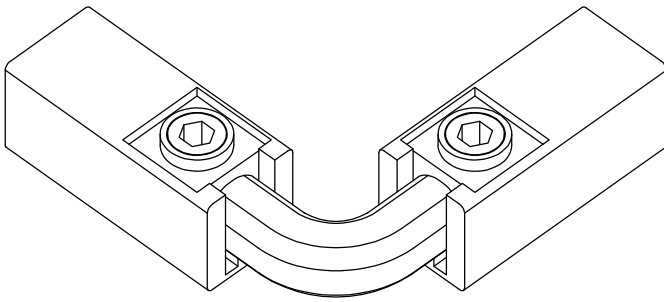
601 - Extension connector, sits internally allowing fitting of extensions to uprights and rails, suited to permanent modifications that will be erected for long periods of time



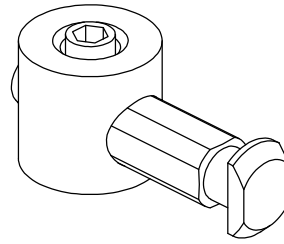
604 - Extension connector, sits inside the channel allowing fitting of extensions to uprights and rails, typically used in pairs



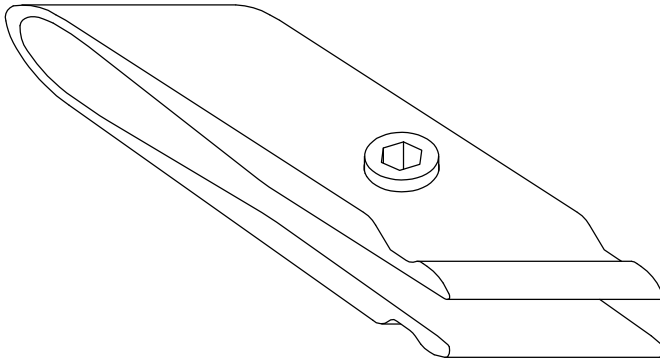
605 - Internal connector for mitred corner joint



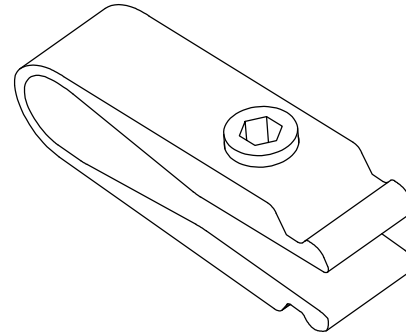
607 - Connector, fixes timber panels directly to FOGA profiles



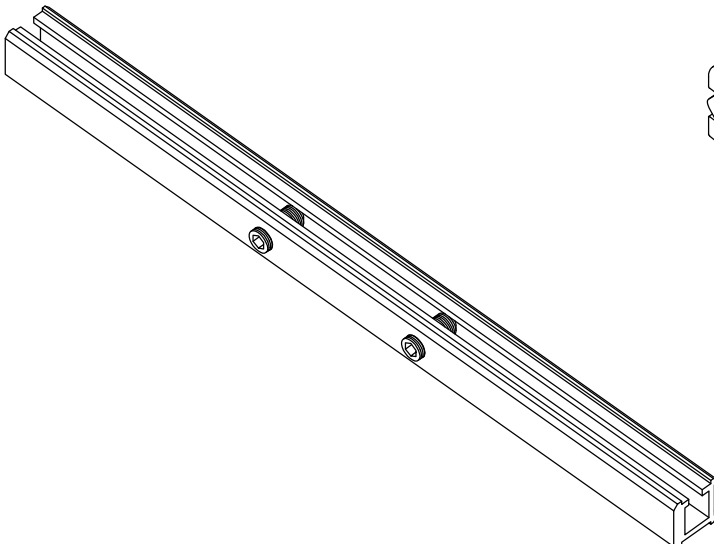
608AL, 608AR - Connector, angled at 45° to fix angled rails



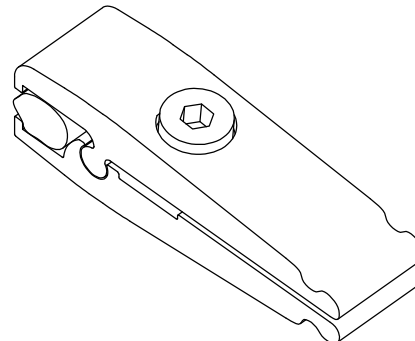
608 - Connector, expanding jaw locking method allows direct face insertion, suitable for curved profiles



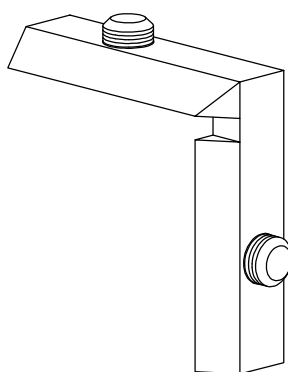
609 - Extension connector, sits internally allowing fitting of extensions to uprights and rails, suited for quick release and non-permanent structures, supplied with grub screws (scale 1:2)



608B - Connector, expanding jaw locking method allows direct face insertion

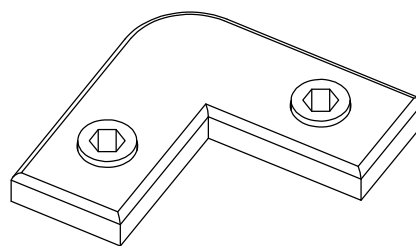


610, 612 - In-channel connector for joining mitred corners, supplied with grub screws

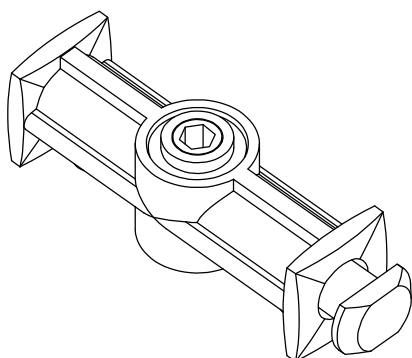


610 - Standard issue
612 - For use with 91A/92A

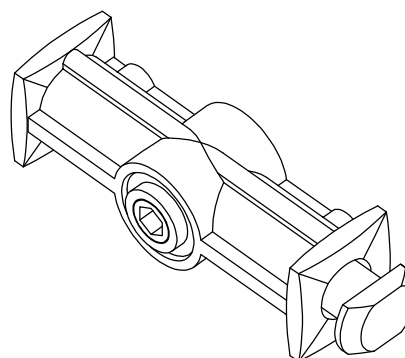
613 - In-channel connector for joining mitred corners, supplied with grub screws



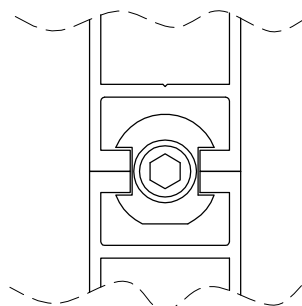
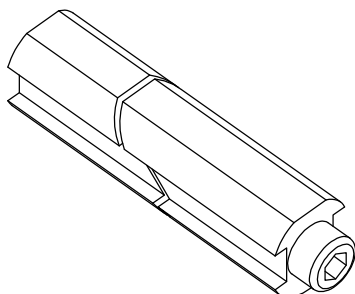
615A - Connector, allen key access inside the channel of the rail (identified by grey body)



615B - Connector, allen key access on the face of the rail (identified by black body)

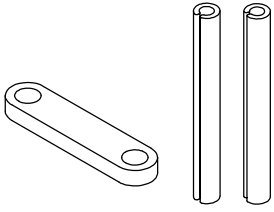


618 - Allows two profiles to be secured together in parallel - often producing solutions not achievable with a single profile. The 618 requires two standard FOGA channels to be positioned face to face. The connector then slides down the channels and clamps them together

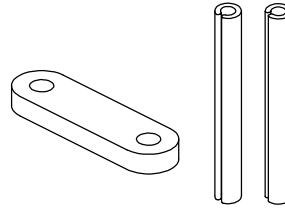


View on profile end

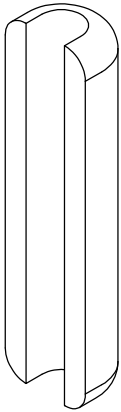
621A - Connecting pins and plate for profile 21 gear-edged hinge, sold in pairs



621AG - Connecting pins and wide plate for profile 21 gear-edged hinge, sold in pairs

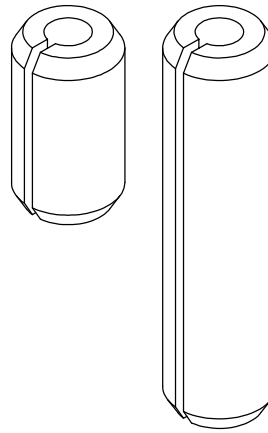


621AS, 621SA - Stacking spigot for profile 21A gear-edged hinge



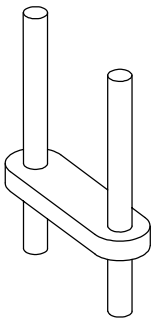
621AS - Plastic
621SA - Aluminium

621SK, 621S - Black plastic stacking spigot for profile 21 gear-edged hinge

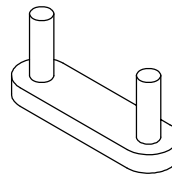


621SK - 30mm long
621S - 60mm long

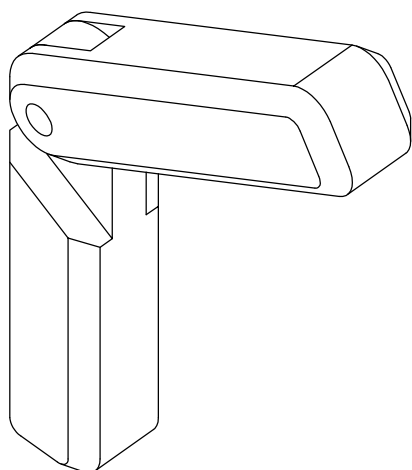
621MD - Double spigot, allows temporary joining of display panels side-by-side



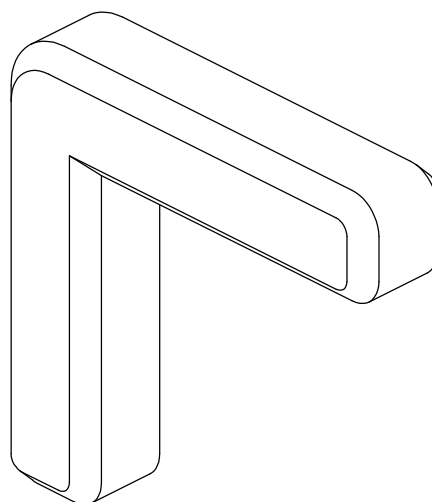
621ME - Single spigot, allows temporary joining of display panels side-by-side



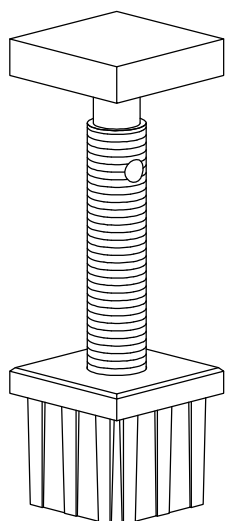
624 - Internal adjustable mitred corner coupling



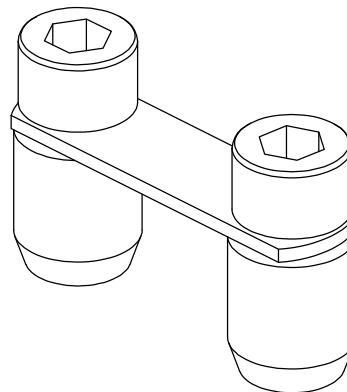
625 - Internal mitred corner coupling, for 90° angle [fixed]



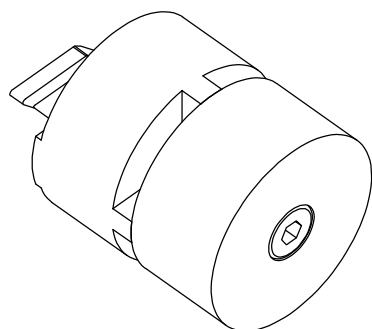
630 - Ceiling jack, secures top of uprights



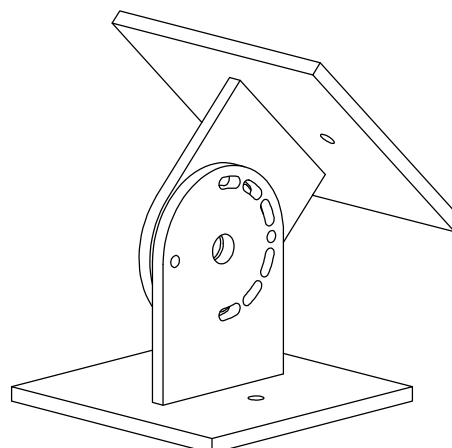
633A - Connecting pins and plate for profile 33 gear-edged hinge



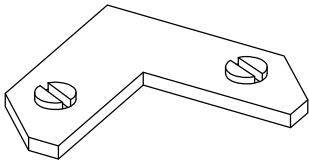
650 - Panel corner clamp, holds graphics independant of your infill panels



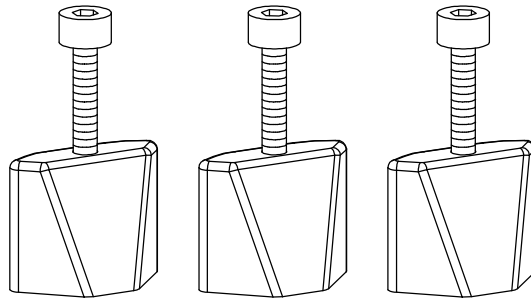
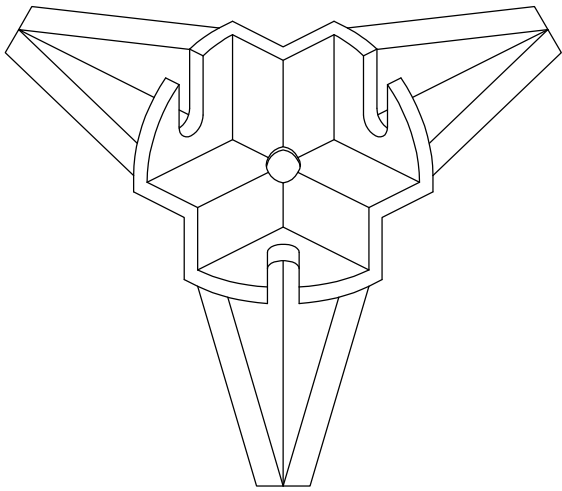
75S AJ - Articulated joint for profile 75S [scale 1:2]



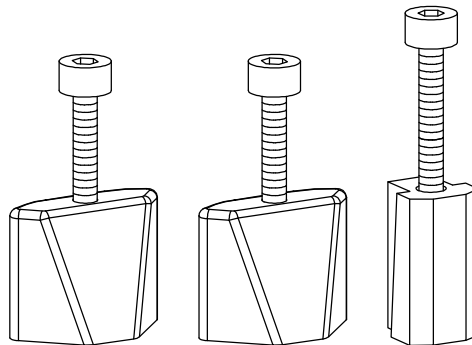
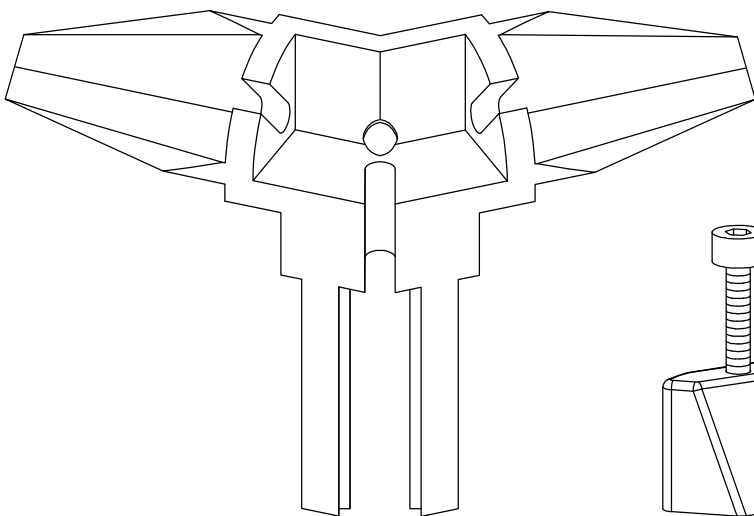
915 - Mitred corner joint for frame profiles D10 & D10R



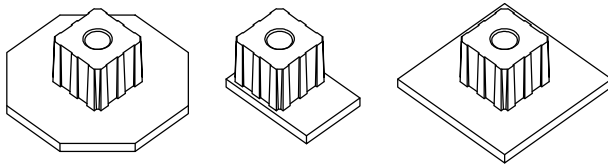
950 - Corner knuckle, three way, for use with profiles 92L, 92R, 92LR, 92LRF, 194R, 60
Produces 90° angle between rails.



952, 953 - Corner knuckle, three way, 952 for use with profile 92LR, 953 for use with profile 60
Produces 135° angle between rails.



Plastic and aluminium caps (scale 1:2)



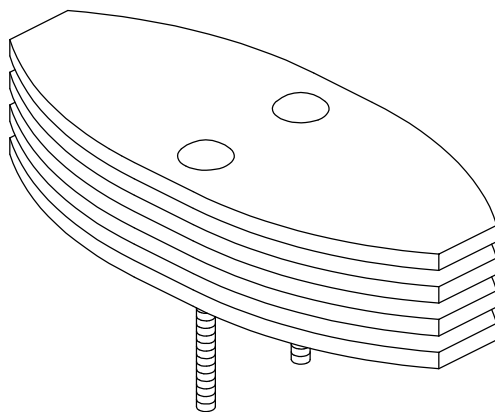
Example plastic caps for profiles 88, 91 and 194

Below is the full range of caps available. Grey plastic caps are push-fit. Anodised caps are produced from anodised aluminium sheet and can be screw fixed, or secured with high strength double sided tape.

| Code | Use with... | Available in... | |
|-------|-------------|-----------------|--------------------|
| | | Grey Plastic | Anodised Aluminium |
| T01 | 01 | x | |
| T21L | 21 | x | |
| T21R | 21 | x | |
| T21AL | 21A | x | |
| T21AR | 21A | x | |
| T33 | 33 | x | |
| T51 | 51 | x | |
| T52 | 52 | x | |
| T60 | 60 | x | |
| T66 | 66 | x | |
| T74 | 74 | x | |
| T75S | 75S | x | |
| T82 | 82 | x | |
| T82AE | 82AE | x | |
| T85 | 85 | x | |
| T88 | 88 | x | |
| T90 | 90 | x | |

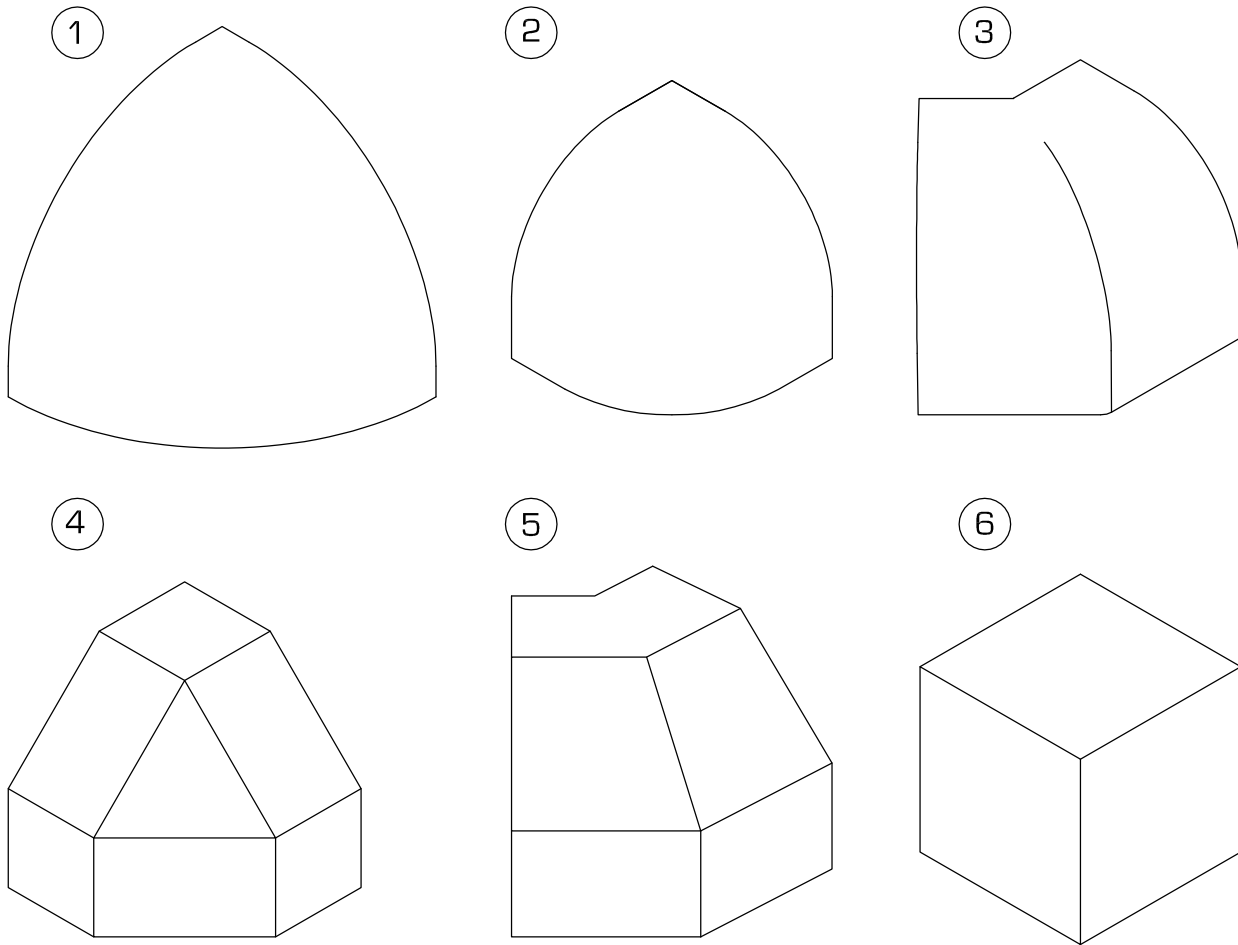
| Code | Use with... | Available in... | |
|-------|-------------|-----------------|--------------------|
| | | Grey Plastic | Anodised Aluminium |
| T91 | 91, 192 | x | |
| T91A | 91A | x | |
| T92 | 92, 292 | x | |
| T92LA | 92LA | x | |
| T92LR | 92LR, 92LRS | x | |
| T92R | 92R | x | |
| T93 | 93, 93S | x | |
| T93R | 93R | x | |
| T94 | 94 | x | |
| T94R | 94R | x | |
| T124 | 124 | | x |
| T153 | 153 | x | |
| T154 | 154 | x | |
| T164 | 164 | x | x |
| T180 | 180 | x | |
| T190 | 190 | x | |
| T194 | 194, 294 | x | |
| T194R | 19 4R | x | |

Decorative Caps - Our range of decorative top caps are produced from 5mm acrylic, finish is silicon green frosted as standard. Other colours can be supplied subject to a minimum order quantity. Decorative caps to suit profiles 74, 75, 75S, 76, 164, 180 and 190 are available (T164D shown, scale 1:2)



- T74D** - Decorative cap to suit profile 74 and 76
- T75SD** - Decorative cap to suit profile 75S
- T164D** - Decorative cap to suit profile 164
- T180D** - Decorative cap to suit profile 180 and 180A
- T190D** - Decorative cap to suit profile 190

Corner Knuckle Caps - For use with 950, 952 and 953 corner knuckles



| Code | Material | Finish | Fixing Type | Profiles Used | | | No. | |
|---------|----------|---------------------------|-------------|---------------|---------|---------|----------------|---|
| | | | | Upright | Rail | Rail | | |
| T951B | Zinc | Glossy Chrome | Screw | 92LR | 92LR(F) | 92LR(F) | 2 | |
| T951M | Zinc | Matt Chrome | Screw | 92LR | 92LR(F) | 92LR(F) | 2 | |
| T951Z | Zinc | Unfinished - For Painting | Screw | 92LR | 92LR(F) | 92LR(F) | 2 | |
| T951SB | Plastic | Glossy Chrome | Screw | 92LR | 92LR(F) | 92LR(F) | 2 | |
| T951SBG | Plastic | Glossy Gold | Screw | 92LR | 92LR(F) | 92LR(F) | 2 | |
| T952B | Zinc | Glossy Chrome | Screw | 8 2 | 92LR(F) | 92LR(F) | 3 | |
| T952Z | Zinc | Unfinished - For Painting | Screw | 8 2 | 92LR(F) | 92LR(F) | 3 | |
| T953B | Zinc | Glossy Chrome | Screw | 8 2 | 6 0 | 6 0 | 5 | |
| T953Z | Zinc | Unfinished - For Painting | Screw | 8 2 | 6 0 | 6 0 | 5 | |
| T960B | Zinc | Glossy Chrome | Screw | 6 0 | 6 0 | 6 0 | 4 | |
| T960M | Zinc | Matt Chrome | Screw | 6 0 | 6 0 | 6 0 | 4 | |
| T960Z | Zinc | Unfinished - For Painting | Screw | 6 0 | 6 0 | 6 0 | 4 | |
| T960SB | Plastic | Glossy Chrome | Screw | 6 0 | 6 0 | 6 0 | 4 | |
| T960SBG | Plastic | Glossy Gold | Screw | 6 0 | 6 0 | 6 0 | 4 | |
| T960 | Plastic | Glossy Black | Snap Fit | 92LR | 92LR(F) | 92LR(F) | 2 | |
| T961 | Plastic | Matt Chrome | Snap Fit | 92LR | 92LR(F) | 92LR(F) | 2 | |
| T962 | Plastic | Glossy Chrome | Snap Fit | 6 0 | 6 0 | 6 0 | 4 | |
| T963 | Plastic | Matt Chrome | Snap Fit | 6 0 | 6 0 | 6 0 | 4 | |
| T964 | Plastic | Glossy Black | Snap Fit | 92L | 92L | 92L | or 92R for all | 6 |
| T965 | Plastic | Glossy Black | Snap Fit | 194R | 194R | 194R | | 1 |
| T966 | Plastic | Matt Chrome | Snap Fit | 194R | 194R | 194R | | 1 |
| T967 | Plastic | Matt Chrome | Snap Fit | 92L | 92L | 92L | or 92R for all | 6 |
| T968 | Plastic | Glossy Chrome | Snap Fit | 194R | 194R | 194R | | 1 |
| T969 | Plastic | Glossy Chrome | Snap Fit | 92LR | 92LR(F) | 92LR(F) | | 2 |
| T970 | Plastic | Glossy Chrome | Snap Fit | 6 0 | 6 0 | 6 0 | | 4 |
| T971 | Plastic | Glossy Chrome | Snap Fit | 92L | 92L | 92L | or 92R for all | 6 |